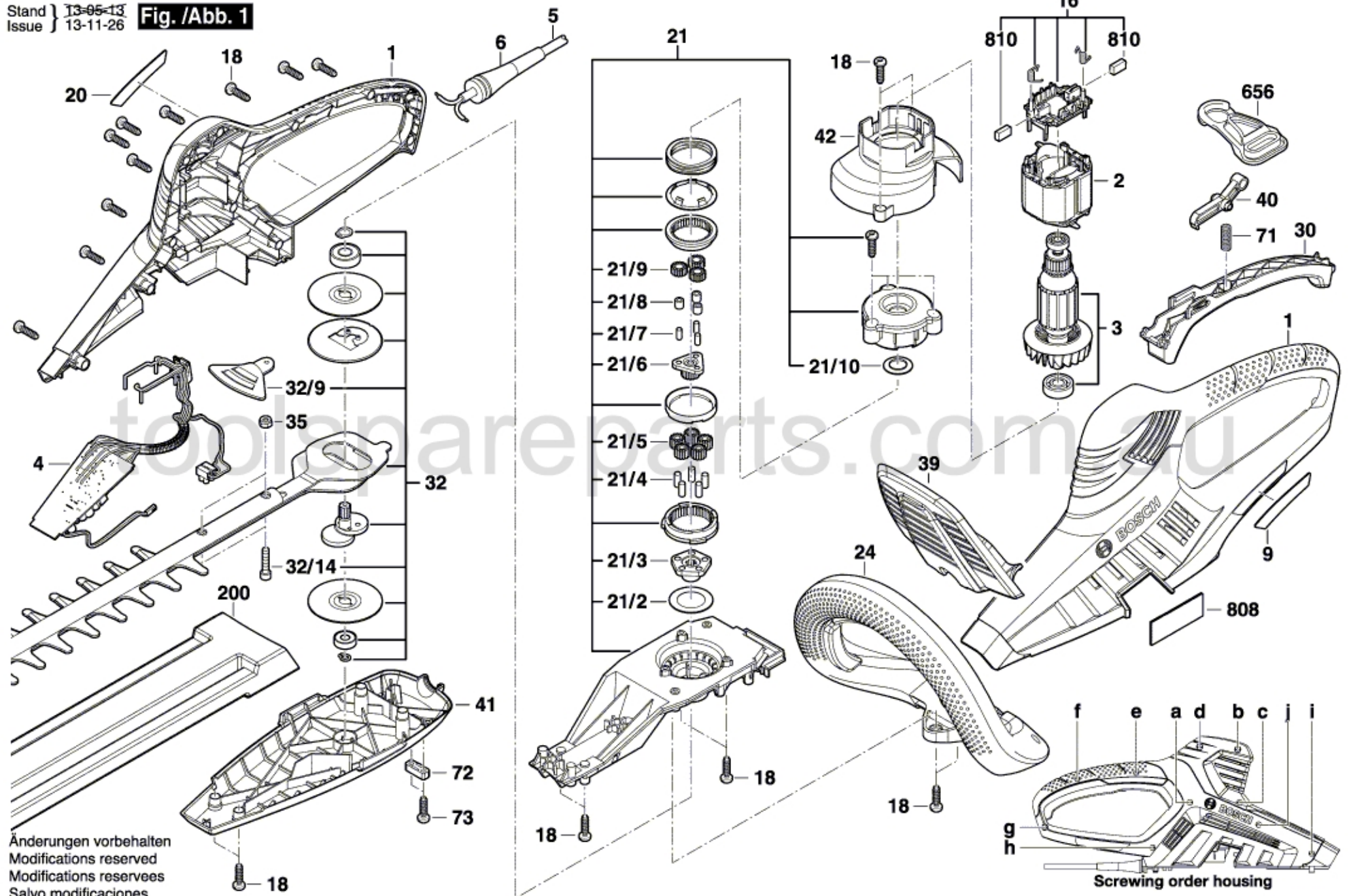


3 600 H47 E00

Stand } 13-05-13  
Issue } 13-11-26

Fig. /Abb. 1



Anderungen vorbehalten  
Modifications reserved  
Modifications reserves  
Salvo modificaciones